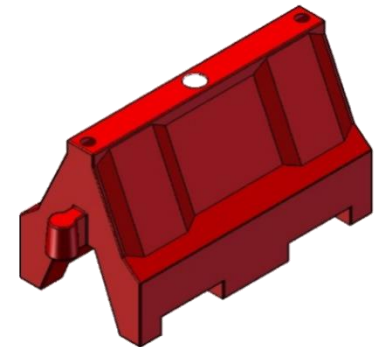
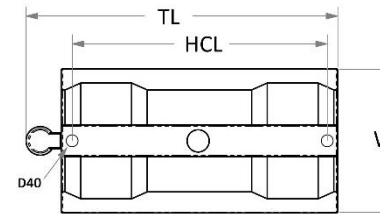
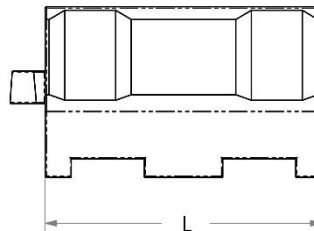
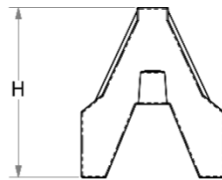


EVO BARRIERS

	EVO 80	EVO 1M	EVO 1.5M
PRODUCT CODE	RBEVO80	RBEVO	1.5RBEVO
WL	1200MM	1000MM	1500MM
W	400MM	400MM	400MM
H	800MM	555MM	555MM
TL	1300MM	1100MM	1600MM
HCL	1150MM	960MM	1450
WEIGHT E / F (KG)	9/29	6.3/26.3	10/30
PER PALLET	12	24	24
PER FULL LOAD	S:240 M:300	S:576 M:650	S:384 M:432
MATERIAL	UVM DPE	UVM DPE	UVM DPE
COLOUR	RED / WHITE	RED/ WHITE	RED/ WHITE



DATA SHEET 2 / 5

EVO BARRIER SYSTEM

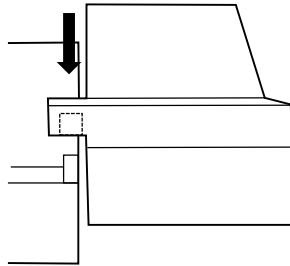
Rugged water filled barrier, fits onto either end of the 1 and 1.5m EVO barriers and provides a right or left hand 90 degree corner.



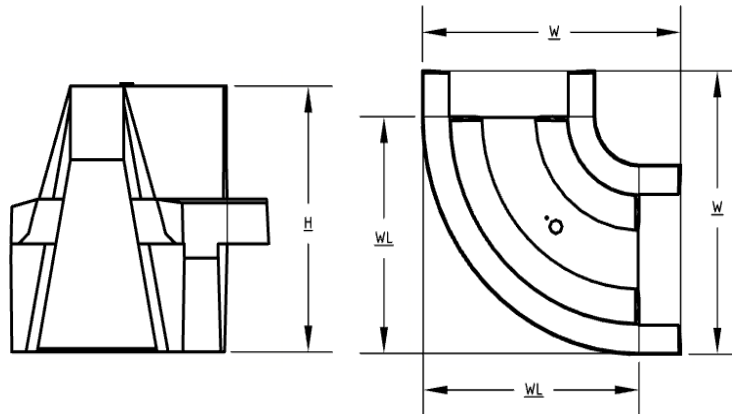
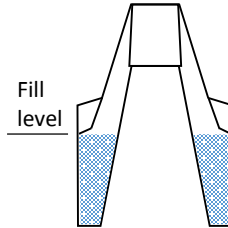
Evo 1.5m

Evo 1m

Align corner pocket over Barrier lugs to assemble



Fill both sides to pocket underside



EVO BARRIERS

EVO ANGLE

PRODUCT CODE	EVOA0016
WL	430MM
W	580MM
H	555MM
WEIGHT E / F (KG)	4.5 / 18.5 KG
PER PALLET	15
MATERIAL	UVM DPE
COLOUR	RED / WHITE



DATA SHEET

3 / 5

EVO BARRIER SYSTEM

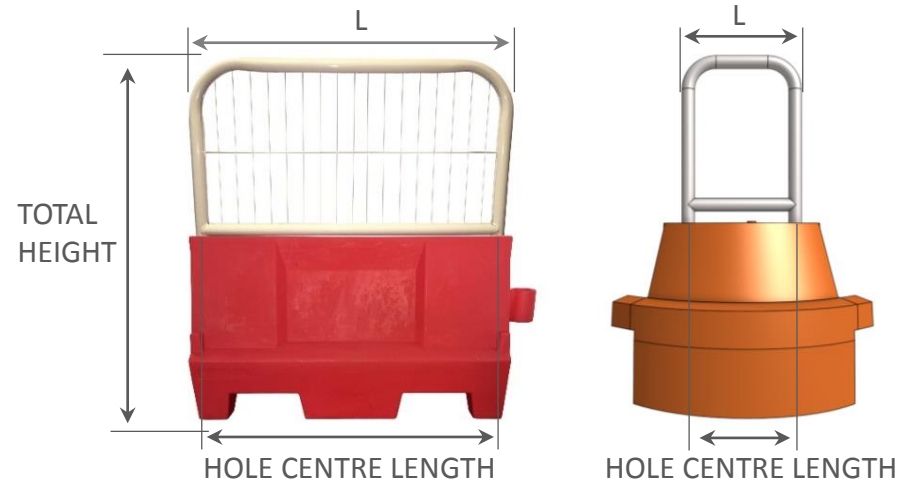
Rugged water filled barrier for traffic and pedestrian delineation

MINI MESH PANELS

	EVO 80	EVO 1M	EVO 1.5M	EVO CORNER
PRODUCT CODE	EVO80MM	1EMM	1.5RBM	
L	1150MM	960MM	1450MM	380MM
W	40MM	40MM	40MM	40MM
TH	1325MM	1080MM	1080MM	1080MM
HCL	1110MM	920MM	1365MM	340
WEIGHT E / F (KG)	5KG	4.1KG	6.2 KG	2KG
PER PALLET	50	50	50	100
PER FULL LOAD	S:240 M:300 B&M:160	S:576 M:600 B&M:400	S:384 M:432 B&M:255	-
MATERIAL	STEEL POWDER COAT	STEEL POWDER COAT	STEEL POWDER COAT	STEEL POWDER COAT
COLOUR	WHITE	WHITE	WHITE	WHITE
CONFIRMED WIND SPEED		55 MPH		

ASSEMBLY PROCESS:

1. INTERLOCK ADJACENT BARRIERS
2. ADD WATER TO FILL LEVEL AND REPLACE CAP
3. INSERT MESH PANEL LEGS INTO HOLES IN 1 BARRIER, 1 1 END AT A TIME AS SHOWN >>>
4. ADD CLIP BETWEEN MESH PANEL UPRIGHTS AS REQUIRED



DATA SHEET

4 / 5

EVO BARRIER SYSTEM

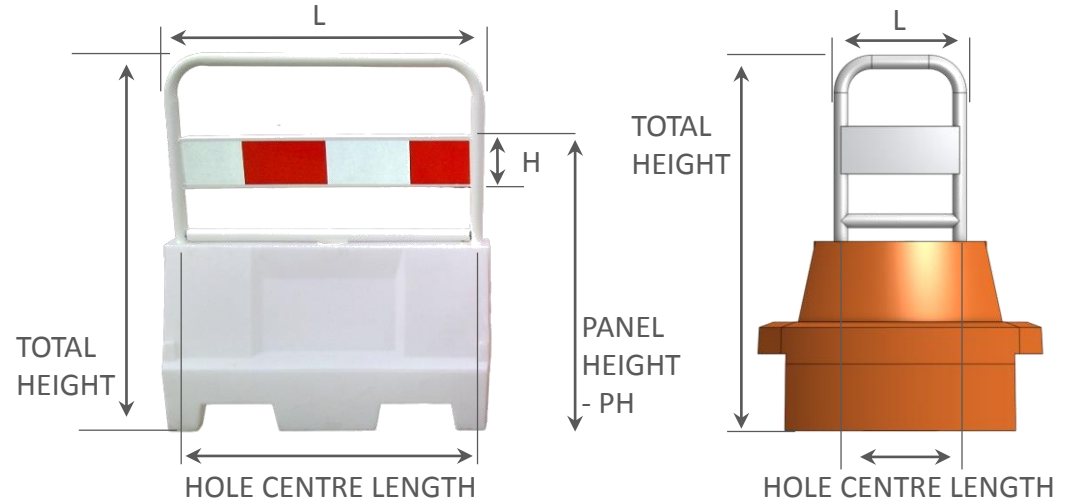
Rugged water filled barrier for traffic and pedestrian delineation

MINI REFLECTIVE PANELS

	EVO 80	EVO 1M	EVO 1.5M	EVO CORNER
PRODUCT CODE				
L	1150MM	960MM	1450MM	380MM
W	40MM	40MM	40MM	40MM
H	790MM	790MM	790MM	790MM
HCL	1110MM	920MM	1365MM	340
WEIGHT E / F (KG)	5KG	4.1KG	6.2 KG	2KG
PER PALLET	50	50	50	100
PER FULL LOAD	S:240 M:300 B&M:160	S:576 M:600 B&M:400	S:384 M:432 B&M:255	-
MATERIAL	STEEL POWDER COAT	STEEL POWDER COAT	STEEL POWDER COAT	STEEL POWDER COAT
COLOUR	WHITE	WHITE	WHITE	WHITE

ASSEMBLY PROCESS:

1. INTERLOCK ADJACENT BARRIERS
2. ADD WATER TO FILL LEVEL AND REPLACE CAP
3. INSERT MESH PANEL LEGS INTO HOLES IN 1 BARRIER, 1 1 END AT A TIME AS SHOWN >>>
4. ADD CLIP BETWEEN MESH PANEL UPRIGHTS AS REQUIRED



DATA SHEET

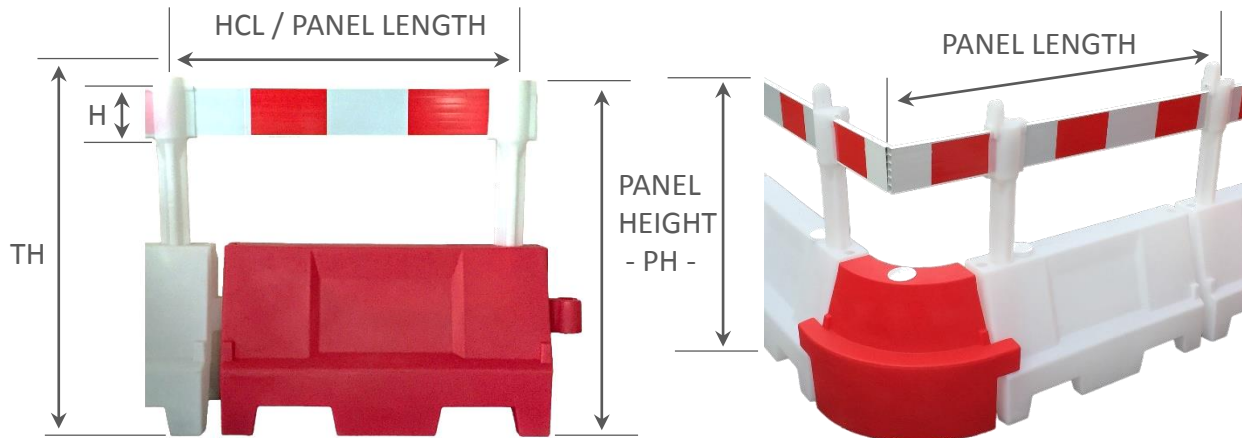
5 / 5

EVO BARRIER SYSTEM

Rugged water filled barrier for traffic and pedestrian delineation

POST / REFLECTIVE PANELS

	EVO 80	EVO 1M	EVO 1.5M	EVO CORNER
PRODUCT CODE	PP	PP	PP	PP
HCL	1220MM	1070MM	1540MM	-
PL	1220MM	1070MM	1540MM	1460
PH	1060MM	1060MM	1060MM	1060MM
H	139MM	139MM	139MM	139MM
TH	1150MM	1150MM	1150MM	1150MM
WEIGHT (KG)	1.56KG	2.4KG	2.8KG	2.7KG
PER PALLET	80	80	80	80
MATERIAL	POST MDPE / PANEL UVPVC	POST MDPE / PANEL UVPVC	POST MDPE / PANEL UVPVC	POST MDPE / PANEL UVPVC
COLOUR	WHITE	WHITE	WHITE	WHITE



ASSEMBLY PROCESS:

1. INTERLOCK ADJACENT BARRIERS
2. ADD WATER TO FILL LEVEL
3. INSERT POST LEGS INTO WATER
FILL HOLES IN ADJACENT
BARRIERS AS SHOWN
<<<
4. INSERT PLANKS INTO HOLDERS
AT LEG TOPS