

DATA SHEET

GB2 BARRIER SYSTEM

1 / 5

Rugged water filled barrier for traffic and pedestrian delineation

GB2 BARRIER

GB2 BARRIER

PRODUCT CODE	GB2
DIMMENSIONS (MM)	L2325 x H900 x D500 WL 2000
MAX ANGLE (DEG)	35 DEG
MATERIAL	UV MDPE
FILL CAPACITY (L)	318L
WEIGHT E / F (KG)	32 / 350 KG
COLOURS	RED/ WHITE
FILL / DRAIN HOLES (MM)	D95MM / D25MM
FORK CHANNELS	2 X 200 X 90MM
NO PER PALLET	5 (OS)
CONFIRMED WIND SPEED	78 MPH

NOTE:

System dimensions are approximated and taken up to the main panel height



DATA SHEET 2 / 5

GB2 BARRIER SYSTEM

Rugged water filled barrier for traffic and pedestrian delineation

ACCESSORIES

GB2 MESH

PRODUCT CODE	GBFP
DIMENSIONS (MM)	L1790 H1400 D40MM
MATERIAL	STEEL POWDER COAT
PANEL WEIGHT	8.5KG
POLE WEIGHT	10.2KG
COLOURS	WHITE
NO PER PALLET	25 (OS)
CONFIRMED WIND SPEED	MIRA 77.9 MPH (Not to failure point)

GB2 50 / 50

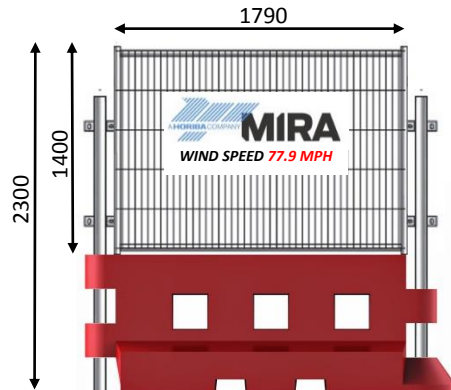
DIMENSIONS (MM)	L1790 H1400 D40MM
MATERIAL	STEEL POWDER COAT
PANEL WEIGHT	19KG
POLE WEIGHT	10.2KG
COLOURS	WHITE
NO PER PALLET	25 (OS)
CONFIRMED WIND SPEED	MIRA 45 MPH (Not to failure point)

GB2 HOARDING

PRODUCT CODE	GBHP
DIMENSIONS (MM)	L1790 H1400 D40MM
MATERIAL	STEEL POWDER COAT
PANEL WEIGHT	22KG
POLE WEIGHT	10.2KG
COLOURS	WHITE
NO PER PALLET	25(OS)
CONFIRMED WIND SPEED	MIRA 38 MPH (Not to failure point)

NOTE:

System dimensions are approximated and taken up to the main panel height

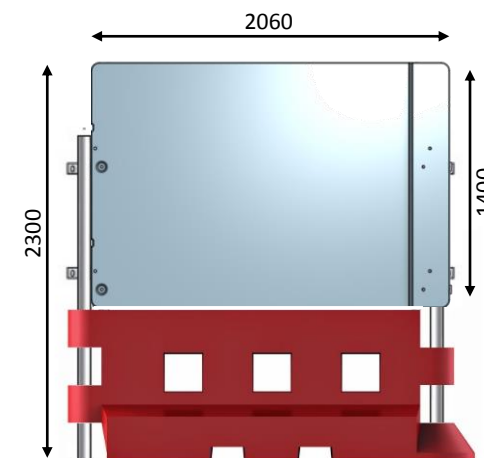
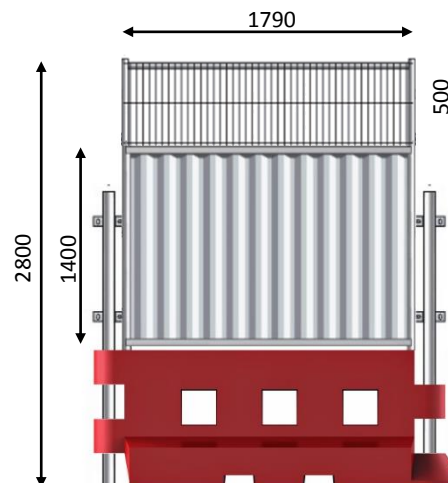


ACCESSORIES

GB2 HOARDING EXTENSION

PLASTIC HOARDING PANEL

PRODUCT CODE		
DIMMENSIONS (MM)	L1790 H1900 D40MM	L2060 H1400 D102MM
MATERIAL	STEEL POWDER COAT	UVMDPE
PANEL WEIGHT	25.7KG	22KG
POLE WEIGHT	10.2KG	10.2KG
COLOURS	WHITE	CUSTOM
NO PER PALLET	25(OS)	
CONFIRMED WIND SPEED		MIRA 34MPH



NOTE:

System dimensions are approximated and taken up to the main panel height

DATA SHEET 4 / 5

GB2 PEDESTRIAN GATE

Steel gate system providing safe access to site

ACCESSORIES

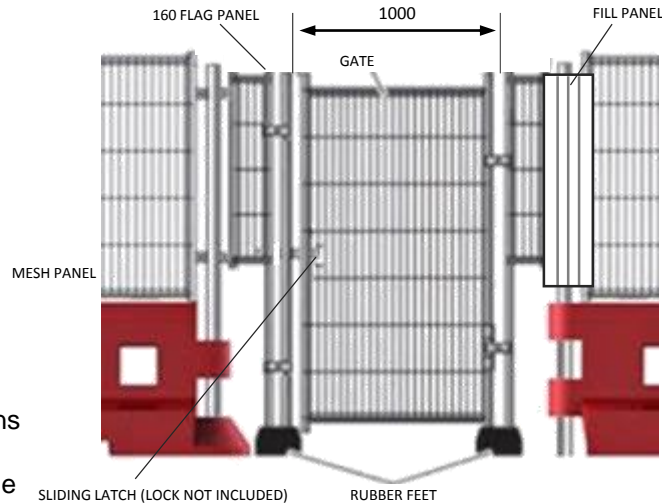
GB 2 MESH GATE

GB 2 SOLID GATE

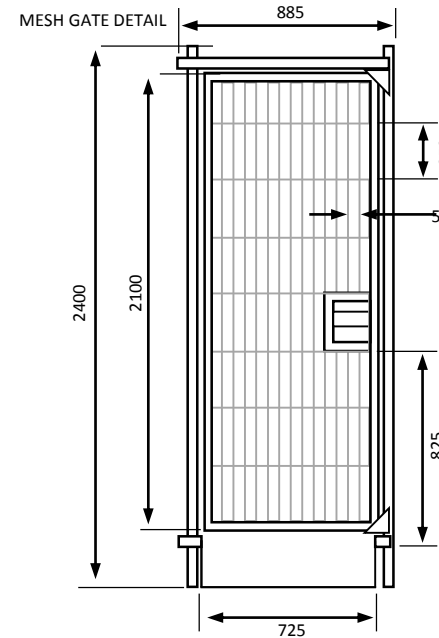
PRODUCT CODE	PRODUCT CODE
GATES (M)	W=1 X H=2.4 / CUSTOM
FLAG PANELS	1 X 590MM / 1 X 160MM
RUBBER FEET	2 X 18 KG
BARRIER ENDS	1 X RB2000 END 1 1 X RB2000 END 2
TOTAL WEIGHT	
FILL PANELS	OPTIONAL EXTRA

PRODUCT CODE
W=1 X H=2.4 / CUSTOM
1 X 590MM / 1 X 160MM
2 X 18 KG
1 X RB2000 END 1
1 X RB2000 END 2

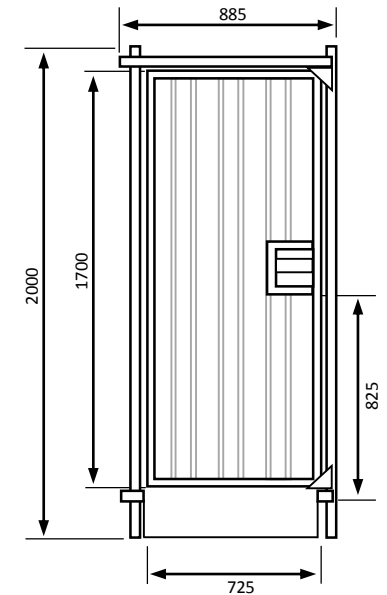
ASSEMBLY



NOTE:
System dimensions are approximated and taken up to the main panel height



HOARDING GATE DETAIL



GB2 VEHICLE GATE

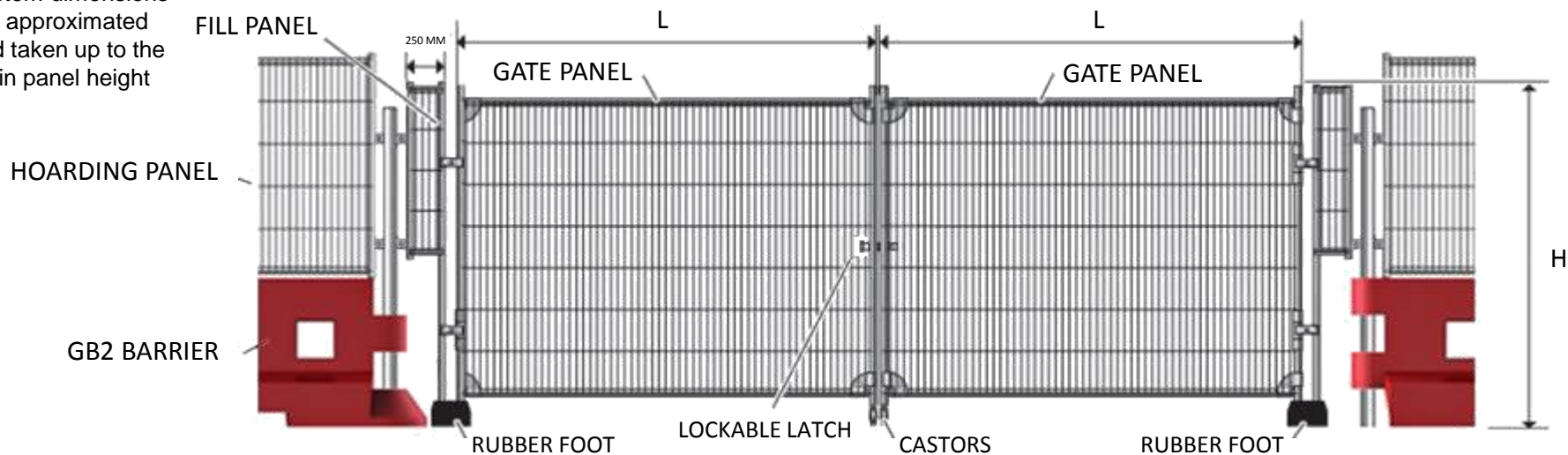
Rugged water filled barrier for traffic and pedestrian delineation

ACCESSORIES

	GB2 VEHICLE GATE	GB2 SOLID VEHICLE GATE
PRODUCT CODE	PRODUCT CODE	PRODUCT CODE
GATES (M)	W = 2 / 3 / 4M x H = 2.07M	W = 2 / 3 / 4M x H = 2.07M
FLAG PANELS	2 X 160MM	2 X 160MM
RUBBER FEET	2 X 18 KG	2 X 18 KG
BARRIER ENDS	1 X GB2 END 1 1 X GB2 END 2	1 X GB2 END 1 1 X GB2 END 2
TOTAL WEIGHT		
FILL PANELS	OPTIONAL EXTRA	

NOTE:

System dimensions are approximated and taken up to the main panel height

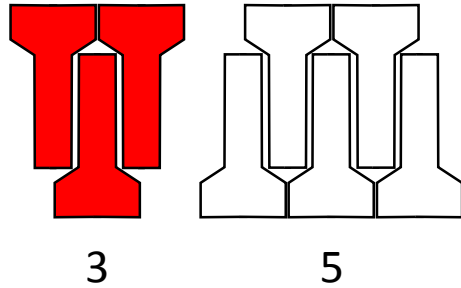


GB2 BARRIER SYSTEM

Rugged water filled barrier for traffic and pedestrian delineation

GB2 BARRIER STACKING

BIND barriers into 5 and 3 bundles

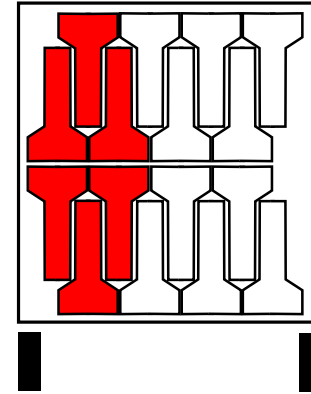


1

AS VIEWED FROM TRAILER REAR

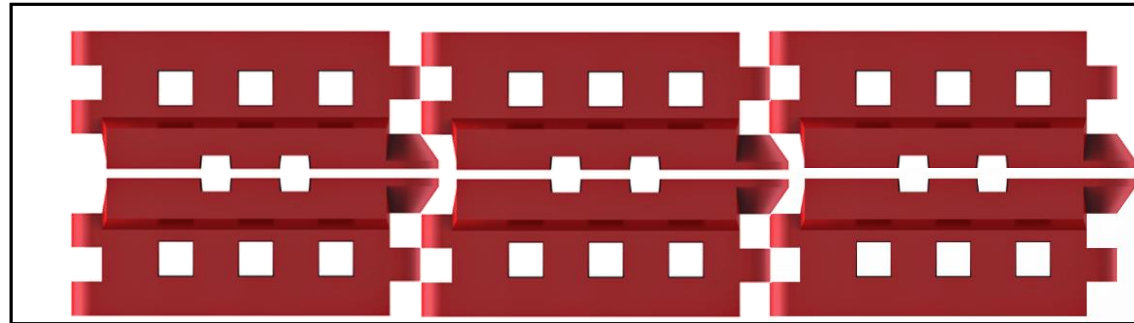
STACK AS SHOWN
FOR TRAILER LENGTH

LOAD
FROM
SIDE



2

AS VIEWED FROM TRAILER SIDE



TOP ROW

BOTTOM ROW