

# DATA SHEET **NOVUS BARRIER**

1 / 2

Unique barrier which corners to 90 degrees and has leaves no gaps

## BARRIER

### NOVUS

PRODUCT CODE NVSV

WL 2000MM

W 520MM

H 800MM

TL 2300

WEIGHT E/ F 25KG /180KG

BARRIER CAPACITY 155L

PER PALLET 10

FULL LOAD 135

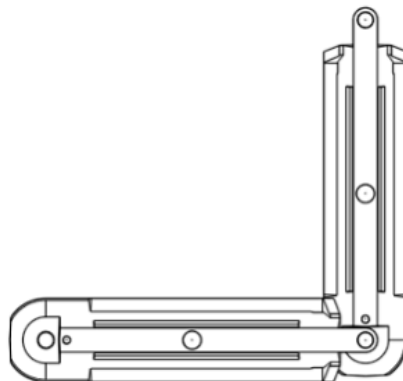
MATERIAL UV MDPE

COLOUR RED / WHITE / CUSTOM

REFLECTIVE PANEL OPTIONAL

MIRA WIND SPEED 68 MPH

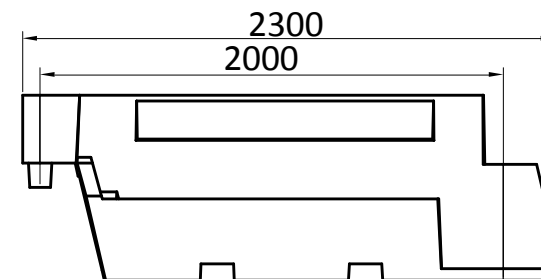
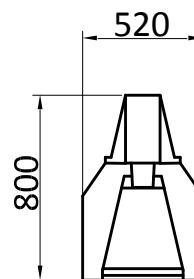
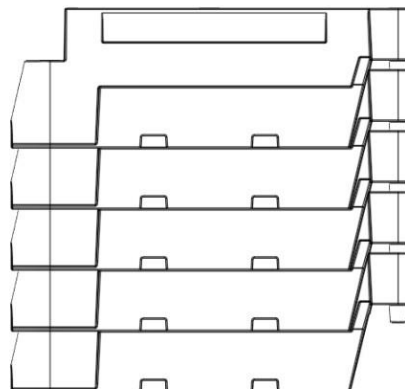
GAPLESS  
CORNER



GAPLESS  
STRAIGHT



STACKED  
X 5 HIGH



# DATA SHEET **NOVUS BARRIER**

2 / 2

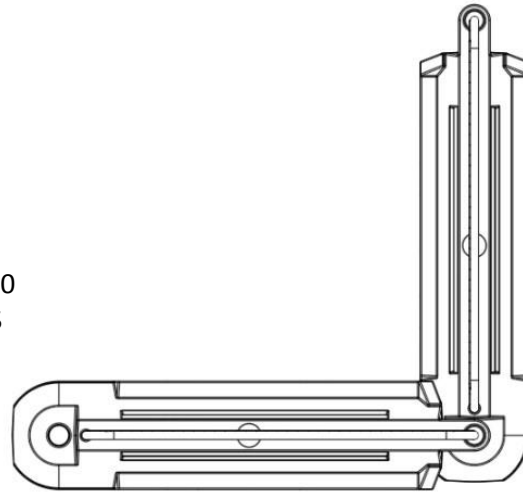
Unique barrier which corners to 90 degrees and has leaves no gaps

## ACCESSORIES

### NOVUS MESH

PRODUCT CODE	NVM
L	1908MM
W	42MM
H	1651MM
TH	2000MM
WEIGHT E	8KG
PER PALLET	30
FULL LOAD INC BARRIER	95
MATERIAL	STEEL POWDER COAT
COLOUR	WHITE / CUSTOM
MIRA WIND SPEED	58MPH

MESH  
CORNER 90  
DEGREEES



STRAIGHT

