

BARRIER

RB2000 BARRIER

PRODUCT CODE	RB2000
DIMMENSIONS (MM)	L2000 H1000 D400 / WL1650
MAX ANGLE (DEG)	25 DEG
MATERIAL	UV MDPE
FILL CAPACITY (L)	365L
WEIGHT E / F (KG)	35 /400KG
COLOURS	RED / WHITE
FILL / DRAIN HOLES (MM)	75 / 25MM
FORK CHANNELS	2 X 200 X 50MM
NO PER PALLET	6 OVER SIZED
CONFIRMED WIND SPEED	72 MPH (not tot failure)

ACCESSORIES

RB2000 FRONT STOP

PRODUCT CODE	RB2000FS
DIMMENSIONS (MM)	L550 H1000 D 400
MAX ANGLE (DEG)	-
MATERIAL	UV MDPE
FILL CAPACITY (L)	-
WEIGHT E / F (KG)	5KG
COLOURS	RED / WHITE
FILL / DRAIN HOLES (MM)	-
FORK CHANNELS	-
NO PER PALLET	24
CONFIRMED WIND SPEED	-

RB2000 REAR STOP

PRODUCT CODE	RB2000 ES
DIMMENSIONS (MM)	L550 H1000 D 400
MAX ANGLE (DEG)	-
MATERIAL	UV MDPE
FILL CAPACITY (L)	-
WEIGHT E / F (KG)	5KG
COLOURS	RED / WHITE
FILL / DRAIN HOLES (MM)	-
FORK CHANNELS	-
NO PER PALLET	24
CONFIRMED WIND SPEED	-

NOTE:

System dimensions are approximated and taken up to the main panel height



DATA SHEET 2 / 5

RB2000 BARRIER SYSTEM

Rugged water filled barrier for traffic and pedestrian delineation

ACCESSORIES

RB2000 MESH

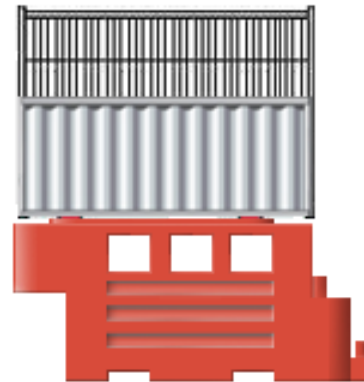
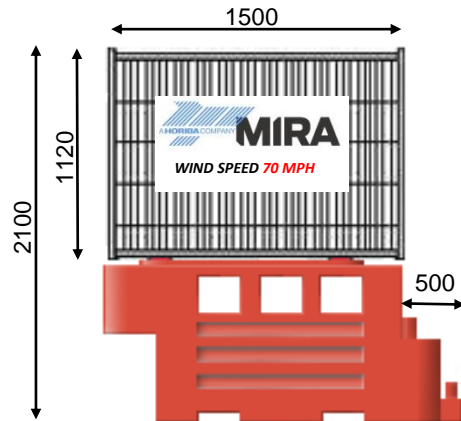
PRODUCT CODE	RBFP
DIMENSIONS (MM)	L1500 H1120 D40
MATERIAL	STEEL POWDER COAT
PANEL WEIGHT	12
COUPLING	NOT SHOWN
COLOURS	WHITE
NO PER PALLET	25 OVER SIZED

RB2000 50 / 50

RB2000HHHM
L1500 H1120 D40
STEEL POWDER COAT
15
-
WHITE

RB2000 HOARDING

RBHP
L1500 H1120 D40
STEEL POWDER COAT
21
-
WHITE
25 OVERSIZED



NOTE:

System dimensions are approximated and taken up to the main panel height

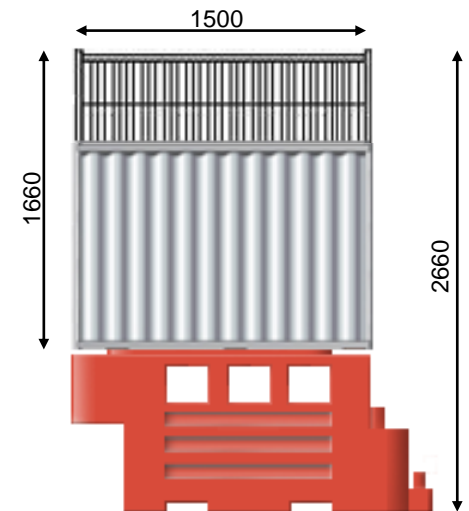
ACCESSORIES

RB2000 MESH EXTENSION

PRODUCT CODE	RB2000MEP
DIMENSIONS (MM)	L1500 H1660 D40
MATERIAL	STEEL POWDER COAT
PANEL WEIGHT	25
COUPLING	NOT SHOWN
COLOURS	WHITE
NO PER PALLET	25 OVER SIZED

NOTE:

System dimensions are approximated and taken up to the main panel height



DATA SHEET

4 / 5

RB2000 BARRIER SYSTEM

Steel gate system providing safe access to site

ACCESSORIES

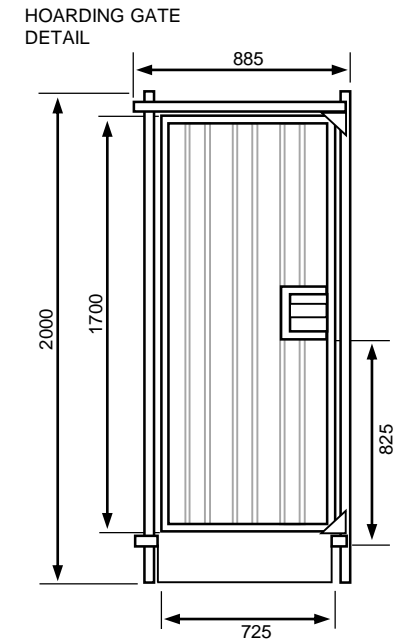
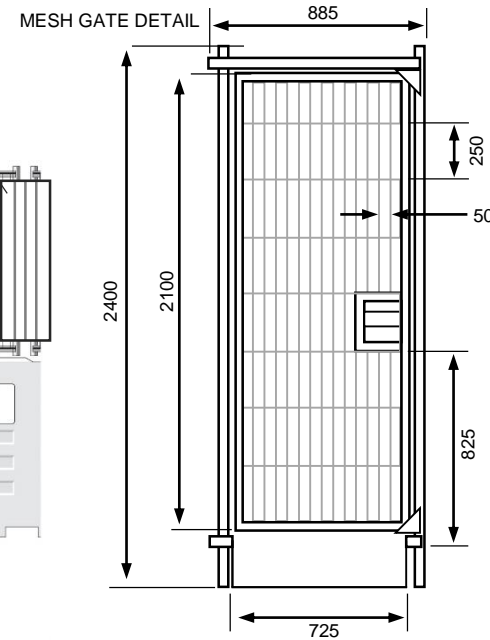
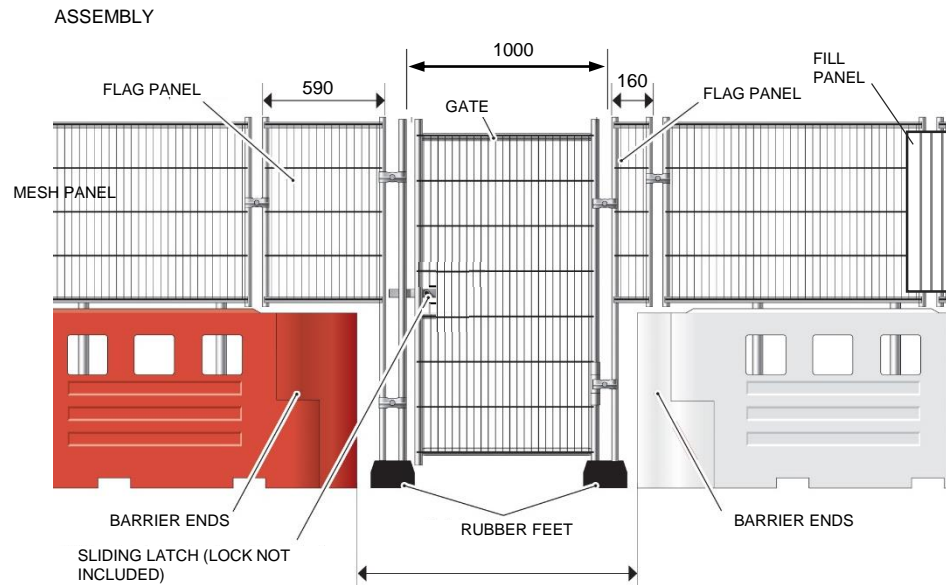
RBB 2000 MESH GATE

RB 2000 SOLID GATE

PRODUCT CODE	1MPGFM	1MPGFH
GATES (M)	W=1 X H=2.4 / CUSTOM	W=1 X H=2.4 / CUSTOM
FLAG PANELS	1 X 590MM / 1 X 160MM	1 X 590MM / 1 X 160MM
RUBBER FEET	2 X 18 KG	2 X 18 KG
BARRIER ENDS	1 X RB2000 END 1 1 X RB2000 END 2	1 X RB2000 END 1 1 X RB2000 END 2
TOTAL WEIGHT		
FILL PANELS	OPTIONAL EXTRA	

NOTE:

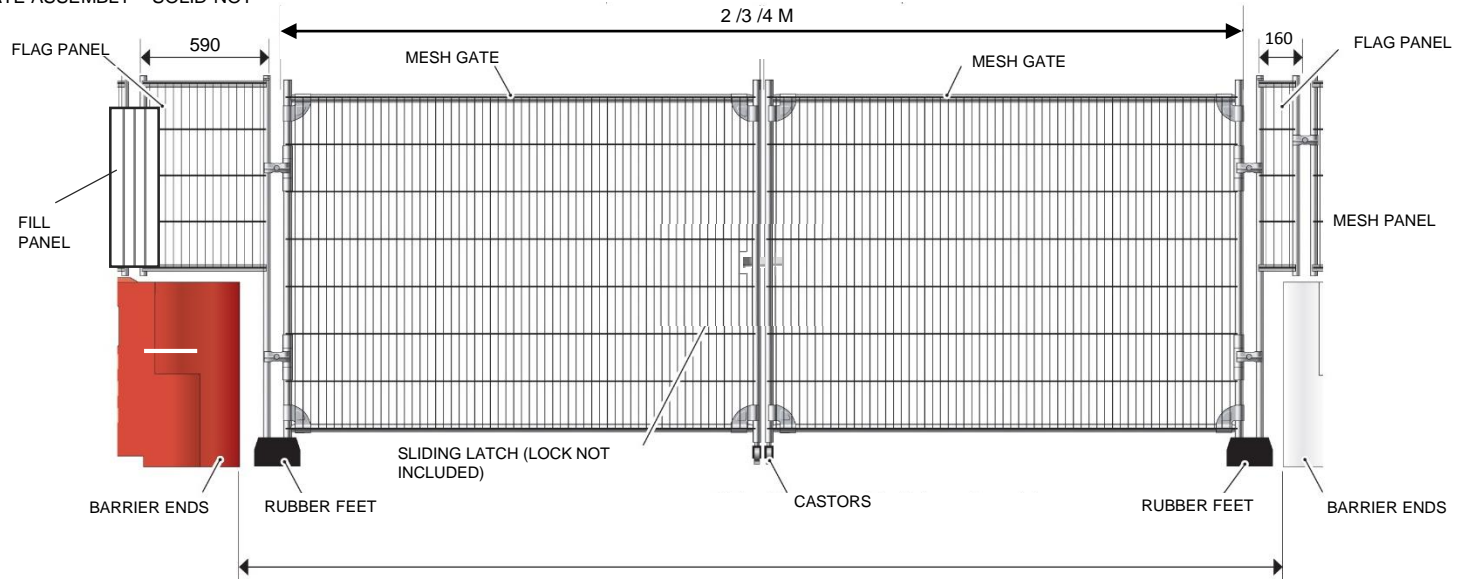
System dimensions are approximated and taken up to the main panel height



ACCESSORIES

	RBB 2000 VEH GATE	RB 2000 SOLID VEH GATE
PRODUCT CODE	5M= 5MVGFM 7M= 7MVGFM	4M= VG4M
GATES (M)	W = 2 / 3 / 4 x H = XX	W = 2 / 3 / 4 x H = XX
FLAG PANELS	1 X 590MM / 1 X 160MM	1 X 590MM / 1 X 160MM
RUBBER FEET	2 X 18 KG	2 X 18 KG
BARRIER ENDS	1 X RB2000 END 1 1 X RB2000 END 2	1 X RB2000 END 1 1 X RB2000 END 2
TOTAL WEIGHT		
FILL PANELS	OPTIONAL EXTRA	

MESH GATE ASSEMBLY – SOLID NOT SHOWN



NOTE:

System dimensions are approximated and taken up to the main panel height